

Visual T&D™

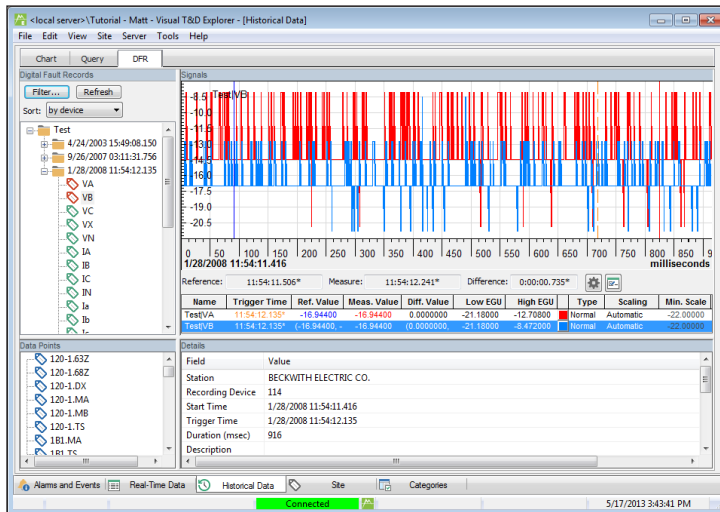


Figure 1. Visual T&D DFR view.

General

Yukon™ Visual T&D™ from Eaton's Cooper Power Systems is a smart monitoring and control alternative to traditional SCADA. Many utility customers want the benefits of a SCADA system, but do not have the resources to implement a complicated project or to staff a 24/7 control room. Visual T&D provides a scalable, pre-configured, easy-to-use alternative.

Visual T&D is an application that continuously monitors substation and distribution equipment operation and performance. It provides all of the information regularly provided by traditional SCADA systems in a way that is less complex and simpler to implement and use. The system collects a long-term, detailed operational history that allows utilities to understand their system operation and to plan maintenance and capital expenditure programs more efficiently.

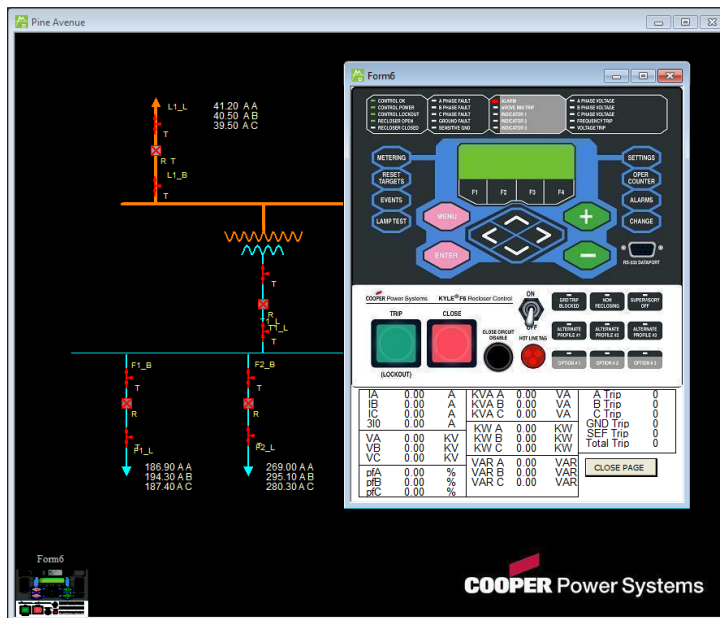


Figure 2. Single-line diagram for Form 6 recloser control.

Table 1. Yukon Visual T&D Ordering Information

Part Number	Description
Visual T&D HMI/SCADA	
P-PVTD-0101-00	Visual T&D 1500 Point System Real-Time Client-Server HMI/SCADA System Includes server program, Explorer and Diagram Editor client programs, Internal PostgreSQL 9.2 for DataLog. Supports SMP™ Gateway and OPC data sources. Includes server license and one client license. Supports up to 1,500 I/O points
P-PVTD-0404-00	Visual T&D 3,000 Point System Real-Time Client-Server HMI/SCADA System Includes server program, Explorer and Diagram Editor client programs, Internal PostgreSQL 9.2 for DataLog. Supports SMP Gateway and OPC data sources. Includes server license and one client license. Supports up to 3,000 I/O points
P-PVTD-0405-00	Visual T&D 5,000 Point System Real-Time Client-Server HMI/SCADA System Includes server program, Explorer and Diagram Editor client programs, Internal PostgreSQL 9.2 for DataLog. Supports SMP Gateway and OPC data sources. Includes server license and one client license. Supports up to 5,000 I/O points
P-PVTD-0406-00	Visual T&D 10,000 Point System Real-Time Client-Server HMI/SCADA System Includes server program, Explorer and Diagram Editor client programs, Internal PostgreSQL 9.2 for DataLog. Supports SMP Gateway and OPC data sources. Includes server license and one client license. Supports up to 10,000 I/O points.
P-PVTD-0407-00	Visual T&D 15,000 Point System Real-Time Client-Server HMI/SCADA System Includes server program, Explorer and Diagram Editor client programs, Internal PostgreSQL 9.2 for DataLog. Supports SMP Gateway and OPC data sources. Includes server license and one user license. Supports up to 15,000 I/O points.
P-PVTD-0408-00	Visual T&D 20,000 Point System Real-Time Client-Server HMI/SCADA System Includes server program, Explorer and Diagram Editor client programs, Internal PostgreSQL 9.2 for DataLog. Supports SMP Gateway and OPC data sources. Includes server license and one user license. Supports up to 20,000 I/O points.
P-PVTD-0413-00	Visual T&D 100,000 Point System Real-Time Client-Server HMI/SCADA System Includes server program, Explorer and Diagram Editor client programs, Internal PostgreSQL 9.2 for DataLog. Supports SMP Gateway and OPC data sources. Includes server license and one user license. Supports up to 100,000 I/O points.
P-PVTD-0409-00	Visual T&D additional 5,000 points Adds 5,000 points to Visual T&D capability. Available only for systems with 10,000 points and more.
P-PVTD-0412-00	Visual T&D additional 5,000 points Adds 5,000 points to Visual T&D capability. Available only for systems with 10,000 points and more.
Visual T&D Communication Server	
P-PVTD-0301-00	Visual T&D Communication Server Allows Visual T&D to directly communicate with devices using TCP/IP or serial ports. Supports a maximum of 16 devices. Includes one master protocol license.
P-SSMP-5201-00	Additional Connectivity Option Adds to the SMP 16/CP and Communication Server the capability to connect to a maximum of 128 devices. Adds to the SMP 16/CP the capability to connect to a maximum of 64 control centers.

Table 1. Yukon Visual T&D Ordering Information Continued

Part Number	Description
Visual T&D Options	
P-PVTD-0201-00	Visual T&D Client License Allows an additional user to access the Visual T&D system. Per user.
P-PVTD-0401-00	Visual T&D Redundancy Support Provides the capability to group two Visual T&D servers in a redundant configuration. The standby server automatically takes over if the main server fails. Requires 2 Windows® 2003 or 2008 Servers in a cluster setup. Add 50% to price of total system configuration. Maintenance plan is required for redundant systems.
P-PVTD-0410-00	Visual T&D Alarm Notification Adds the capability to notify users of alarm conditions by email or SMS.
P-PVTD-0411-00	Visual T&D Event File Processing Adds the capability to retrieve and display event files. Retrieve event files from selected relays using the SMP Gateway, convert files to COMTRADE format, and provide basic display functions.
P-PVTD-0414-00	Visual T&D MS SQL Server Supports connection to external MS SQL Server 2008 and 2012
Visual T&D Warranty and Maintenance Options (mandatory)	
P-TMNT-0201-00	Visual T&D Maintenance Plan Provides unlimited technical support, access to all new releases and updates (minimum of one major update per year). Mandatory for first 3 years. Optional from Year 4 and on. Annual fee of 15% of the total value of the VT&D system. Traveling cost not included if required.
P-TMNT-0202-00	Visual T&D Enhanced Maintenance Plan The Enhanced Maintenance Plan provides the customer all the benefits from the Standard Visual T&D Maintenance Plan plus the following: - 24/7 Emergency Support Line, - 4 hours of coaching, - 8 hours of investigation and troubleshooting. Annual fee of 20% of the total value of the VT&D system. Traveling cost not included if required.
P-TENG-0301-00	Standard Engineering Rate Hourly Engineering rate (can be on site) to assist you in the design or the implementation of your automation project. Does not include traveling expenses.

For more information about how Eaton's Cooper Power Systems products can benefit substation integration, security and communications, contact PSMO-Sales@cooperindustries.com and request a demonstration.

Quebec City

730 Commerciale Street, Suite 200
Saint-Jean-Chrysostome, Quebec
Canada G6Z 2C5

Technical support:

P: +1.800.815.2258
eassupport@cooperindustries.com

Montreal

1290 St. Denis Street, Suite 400
Montreal, Quebec
Canada H2X 3J7

Sales and marketing:

P: +1.418.834.0009
PSMO-sales@cooperindustries.com

Eaton

1000 Eaton Boulevard
Cleveland, OH 44122
United States
Eaton.com

Eaton's Cooper Power Systems Business

2300 Badger Drive
Waukesha, WI 53188
United States
Cooperpower.com

© 2013 Eaton
All Rights Reserved
Printed in USA
Publication No. 1140-10
July 2013

Eaton, Cooper Power Systems, Yukon, SMP, and Visual T&D are valuable trademarks of Eaton in the U.S. and other countries. You are not permitted to use these trademarks without the prior written consent of Eaton. Microsoft® and Windows® is either registered trademarks or trademarks of Microsoft Corporation in the United States and/or other countries.